

# JORDAN

REDUCTION SOLUTIONS

**RUGGED—DEPENDABLE**  
**AFFORDABLE!**

With more than 154 years of experience behind its production, the PT-6000 Passenger Tire Shredder is the most durable and affordable tire shredder on the market today.

With versatile arrangements, the PT-6000 can offer productions up to 11,000 lbs per hour for rough shred or up to 6000 lbs per hour classified to a 1" nominal chip.

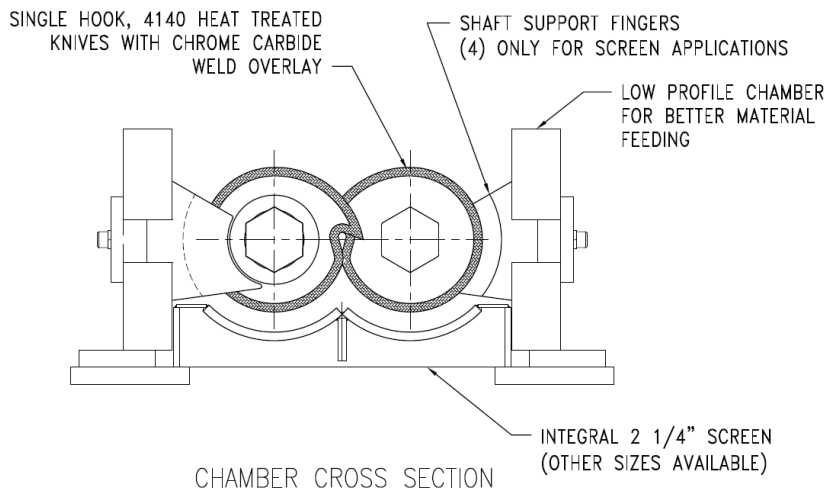


From Whole Tires

To Classified Chip



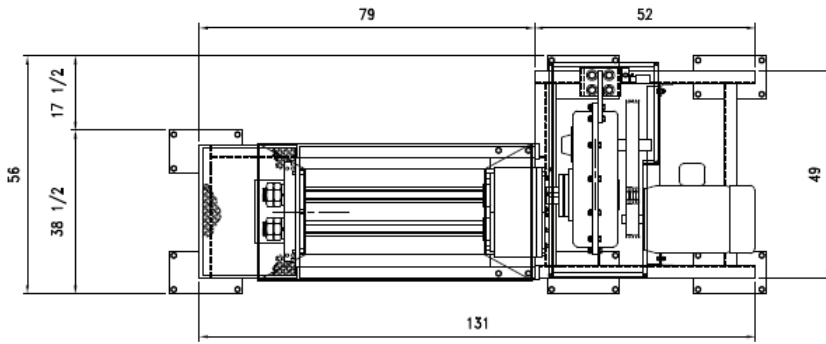
**AND ALL FOR JUST  
PENNIES PER POUND!**



## FEATURES

- Tungsten Carbide knives for longer life
- Integrated and Interchangeable Screens
- Energy efficient 60 HP drive
- Water mist system in hopper
- Heavy steel cutting chamber
- Rugged cushioned drive system
- Available in single or dual units
- Custom configurations for you needs
- Screen sizes from 3/4" to 2 1/4".
- Low operating costs

P.O. Box 170339 \* 355 Clow Lane, Birmingham, Alabama 35217 Toll Free: 1-888-733-8248  
Fax: 1-205-849-5075 \* [www.jordanreductionsolutions.com](http://www.jordanreductionsolutions.com)



## ***PT-6000 PRIMARY***

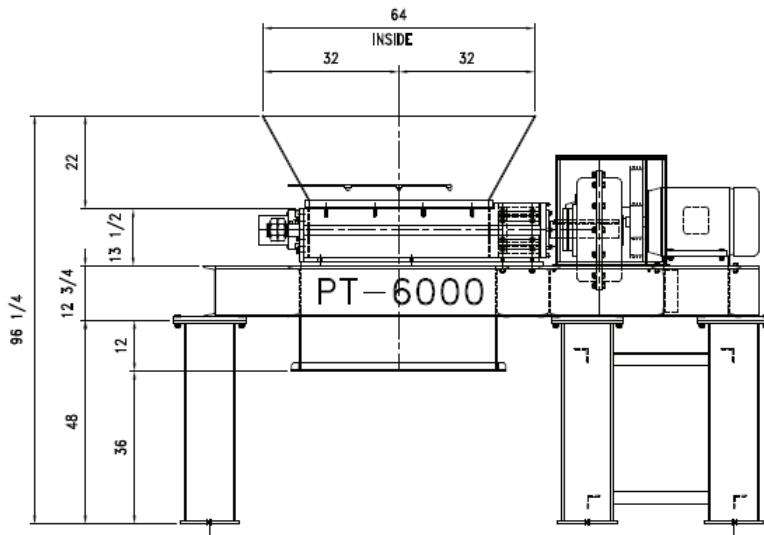
The versatile PT-6000 can be run in a single unit as shown on the left for configurations of rough shred only or 2" classified chips:

Single Unit Production Capacities:

Rough Shred: Up To 11,000 lbs/hour

2" Chip: Up to 6000 lbs/hour

1-1/2" Chip: 4000—6000 lbs/hour



## ***PT-6000 PRIMARY-SECONDARY STACK***

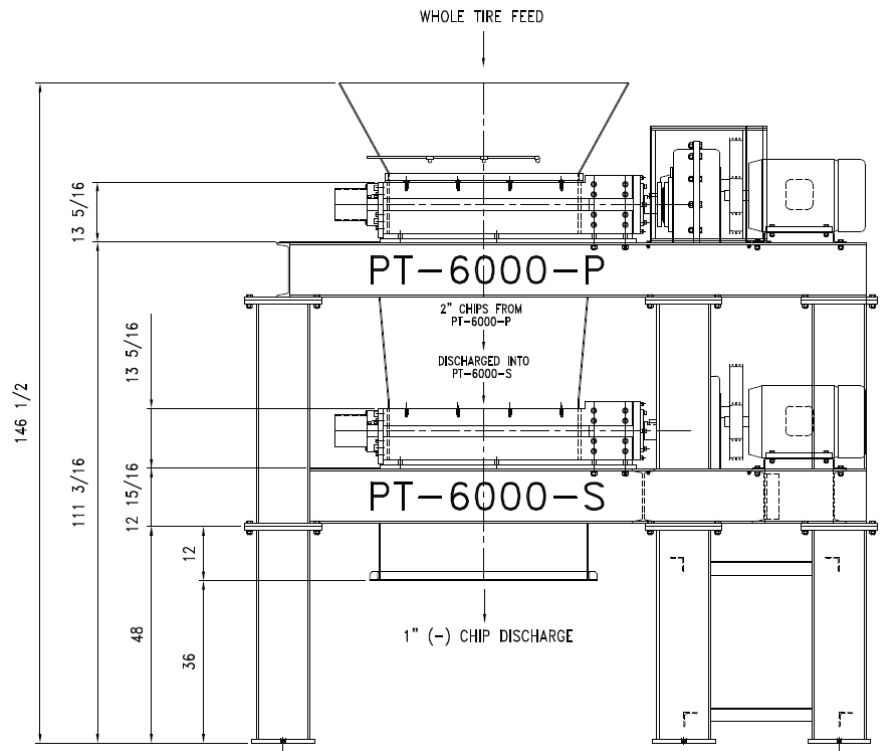
The PT-6000 is also available in a dual arrangement either stacks as shown to the right, or in a linear line with intermediate conveyor feed.

Dual units are used when required product sizing is below 1 1/2" chip.

Dual System Production Capacities:

2" Chip: Up to 11000 lbs/hour

1" Chip: Up to 6000 lbs/hour



P.O. Box 170339 \* 355 Clow Lane,  
Birmingham, Alabama 35217

Toll Free: 1-888-733-8248 \* Fax: 1-205-849-5075

[www.jordanreductionsolutions.com](http://www.jordanreductionsolutions.com)